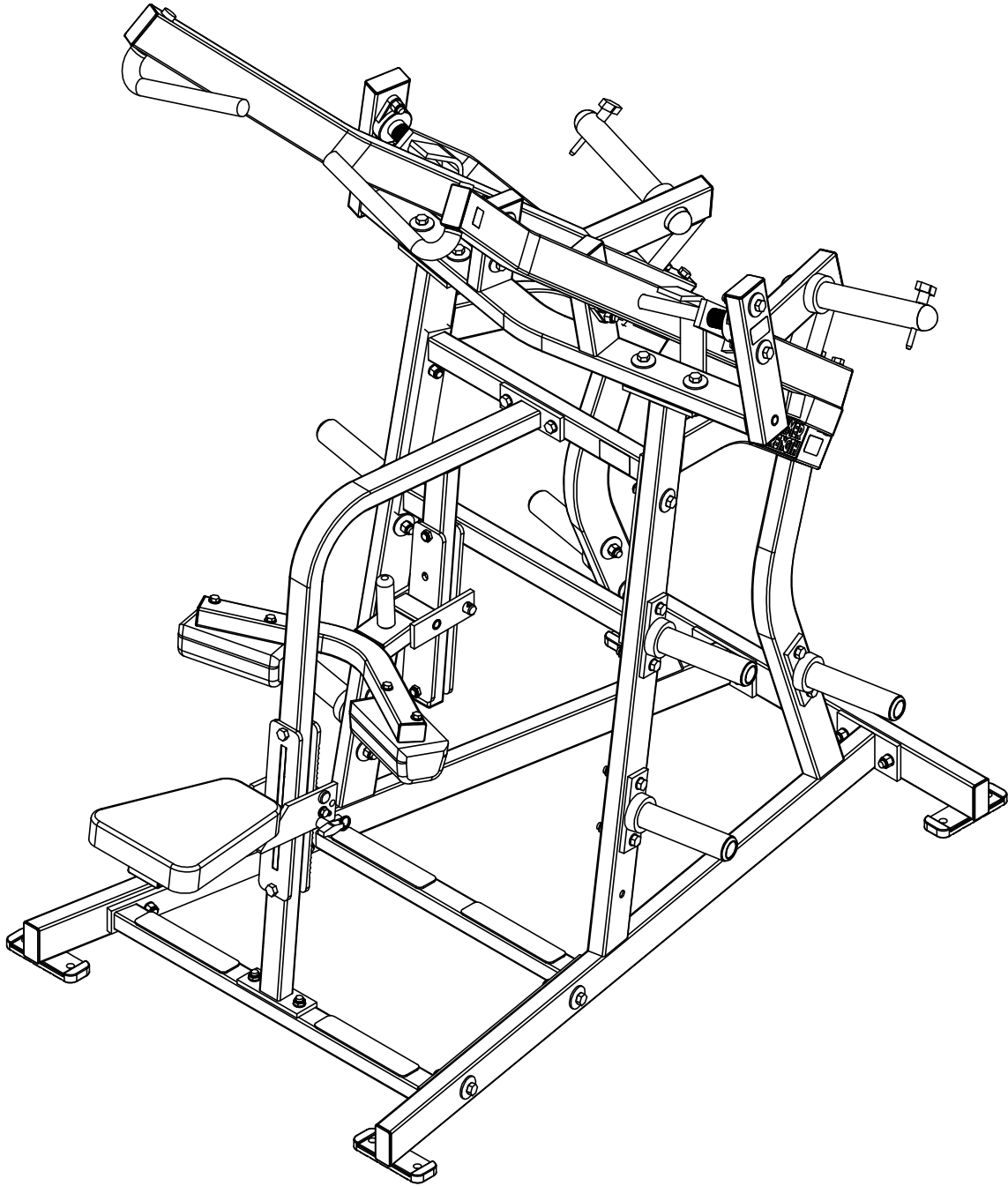


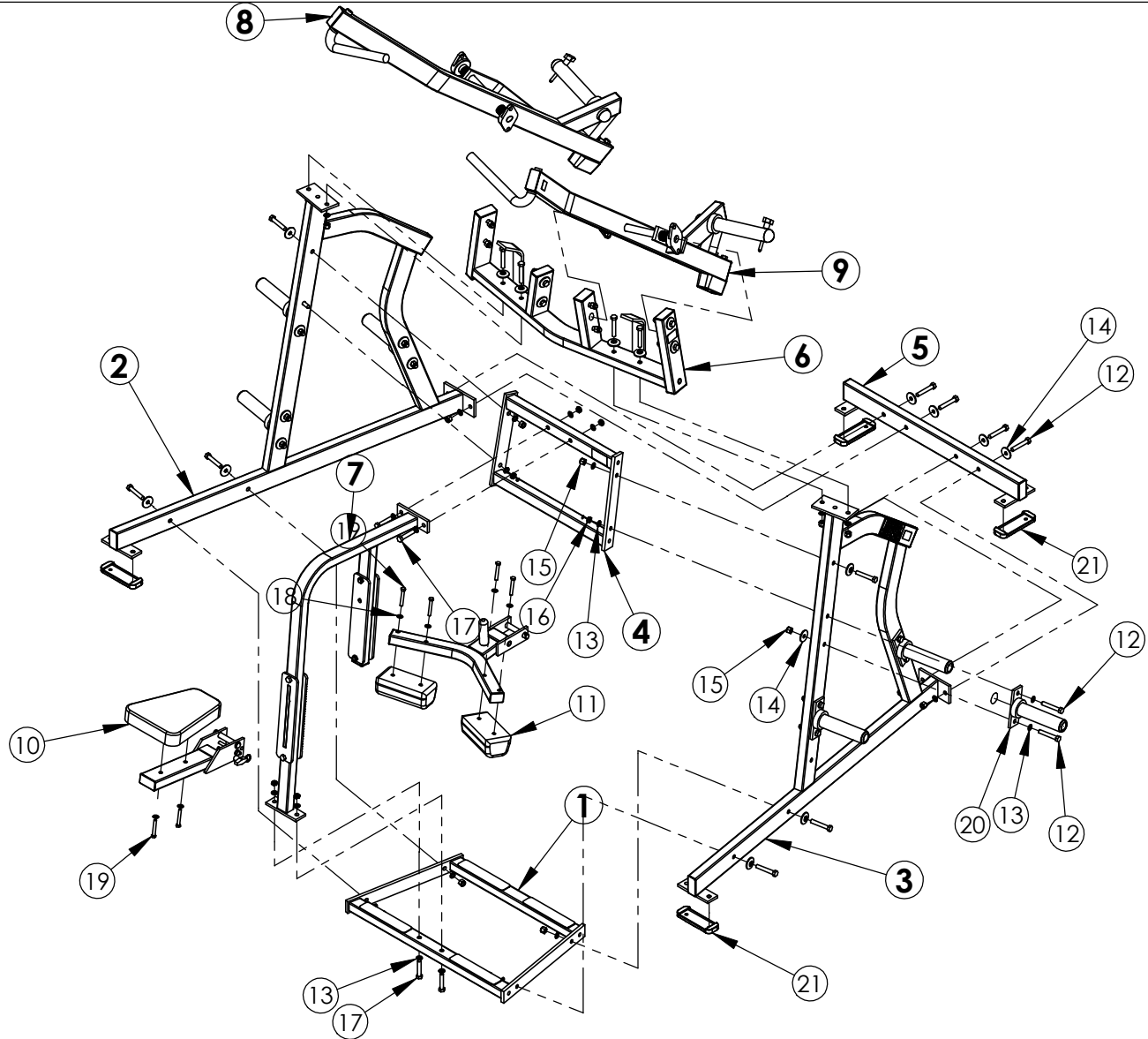
**HAMMER STRENGTH EQUIPMENT
ILWPD ISO LATERAL WIDE PULL DOWN**

REV: C04



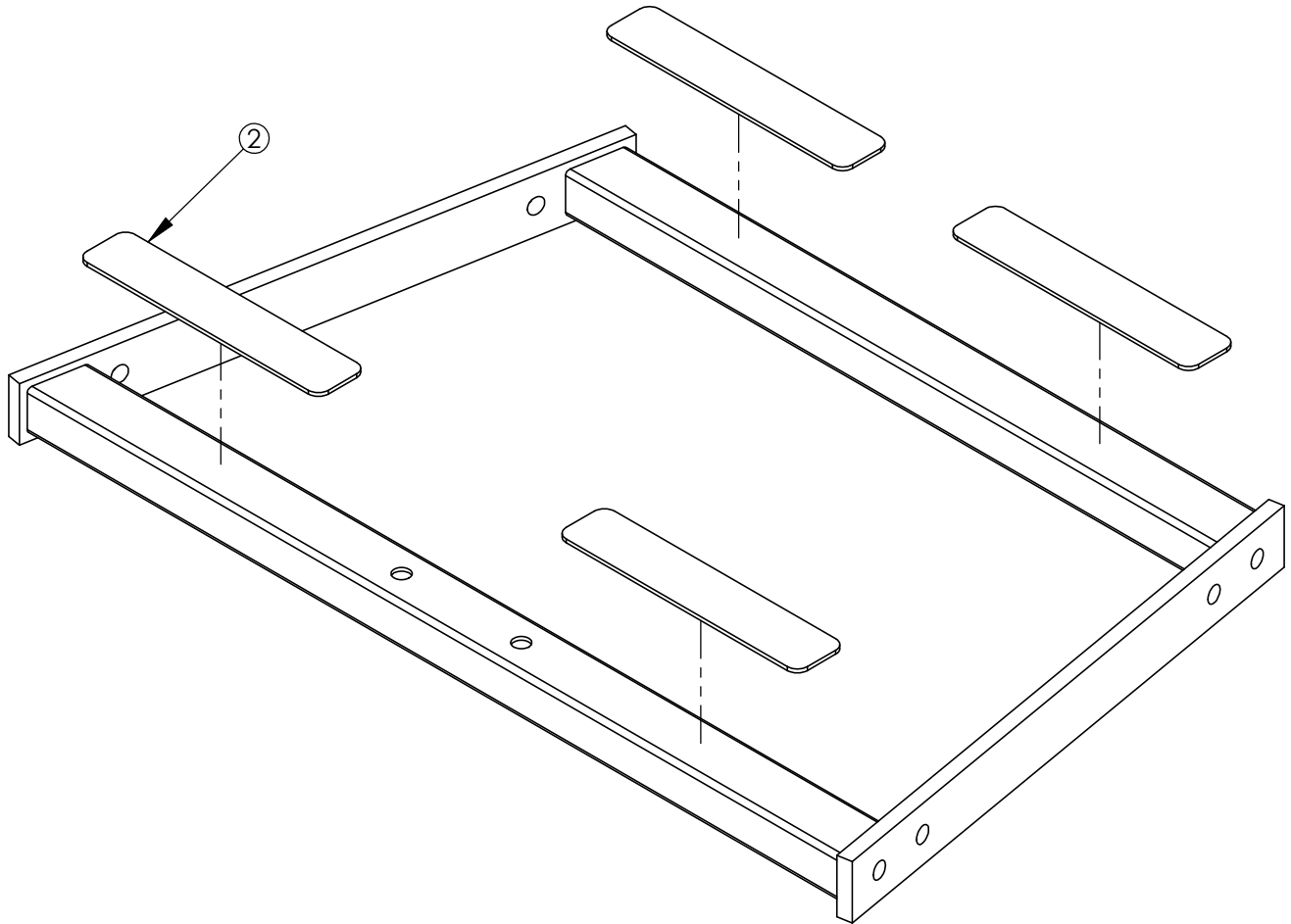
WEIGHT = 330.8 lb
LENGTH = 71"
WIDTH = 42"
HEIGHT = 80"

HAMMER STRENGTH EQUIPMENT ILWPD EXPLODED



ITEM NO.	QTY.	PART NO.	DESCRIPTION
1	1	ILWPD-CBX-0	ASSY, ILWPD, BOTTOM CROSSMEMBER
2	1	ILWPD-CSFL-1	ASSY, ILWPD, LEFT SIDE FRAME
3	1	ILWPD-CSFR-1	ASSY, ILWPD, RIGHT SIDE FRAME
4	1	ILWPD-CMX-0	ASSY, ILWPD, MIDDLE CROSSMEMBER
5	1	ILWPD-CFX-0	ASSY FRONT CROSSMEMBER
6	1	ILWPD-CTX-0	ASSY, ILWPD, TOP CROSSMEMBER
7	1	ILWPD-CST-0	ASSY, ILWPD, SEAT FRAME
8	1	ILWPD-CMAL-3	ASSY, ILWPD, LEFT MOVEMENT ARM
9	1	ILWPD-CMAR-3	ASSY, ILWPD, RIGHT MOVEMENT ARM
10	1	U-12-5	SEAT PAD
11	2	U-4W	KNEE PAD
12	26	HHB.5X3	1/2 X 3 BOLT
13	36	WASH.5STAR	1/2" INTERNAL LOCK WASHER
14	24	H-BACK-WASH	BACKING WASHER
15	24	NUT.5LOCK	1/2 DIA THICK LOCK NUT
16	6	NUT.5JAMLOCK	1/2 THIN LOCK NUT
17	4	HHB.5X2.5	1/2 X 2 1/2 BOLT
18	6	WASH.375SAE	3/8" SAE FLAT WASHER
19	6	HHB.375X2.5	STEEL BOLT 3/8 X 2.5
20	6	H-HORN-ASSY	ASSY, WEIGHT HORN
21	4	MM-8	2 X 6 FLANGE RUBBER SLIPPER
22	1	CSTD-ST-1	ASSY, STD ST
23	1	CST4-C01	ASSY, STD SEAT 4

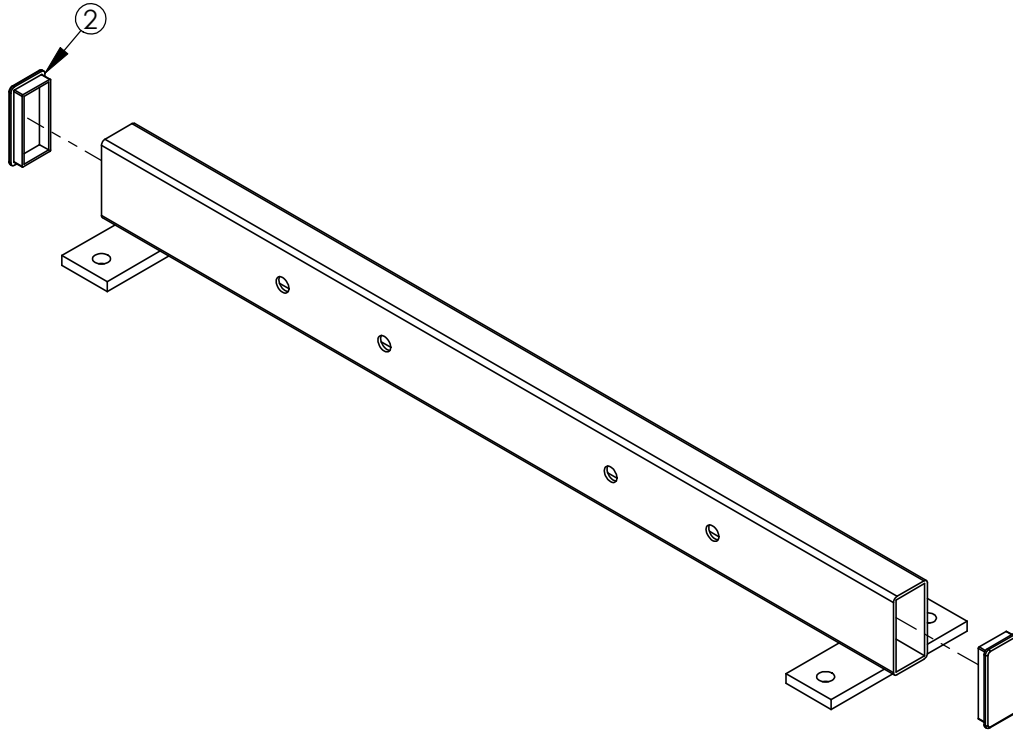
HAMMER STRENGTH EQUIPMENT
ILWPD-CBX-0 ASSY, ILWPD, BOTTOM CROSSMEMBER



WEIGHT = 23 lb
 LENGTH = 19 7/8"
 WIDTH = 31 3/4"
 HEIGHT = 2"

ITEM NO.	QTY.	PART NO.	DESCRIPTION
2	4	H-NONSKID 2X9	PLASTIC NON SKID STRIP 2 X 9

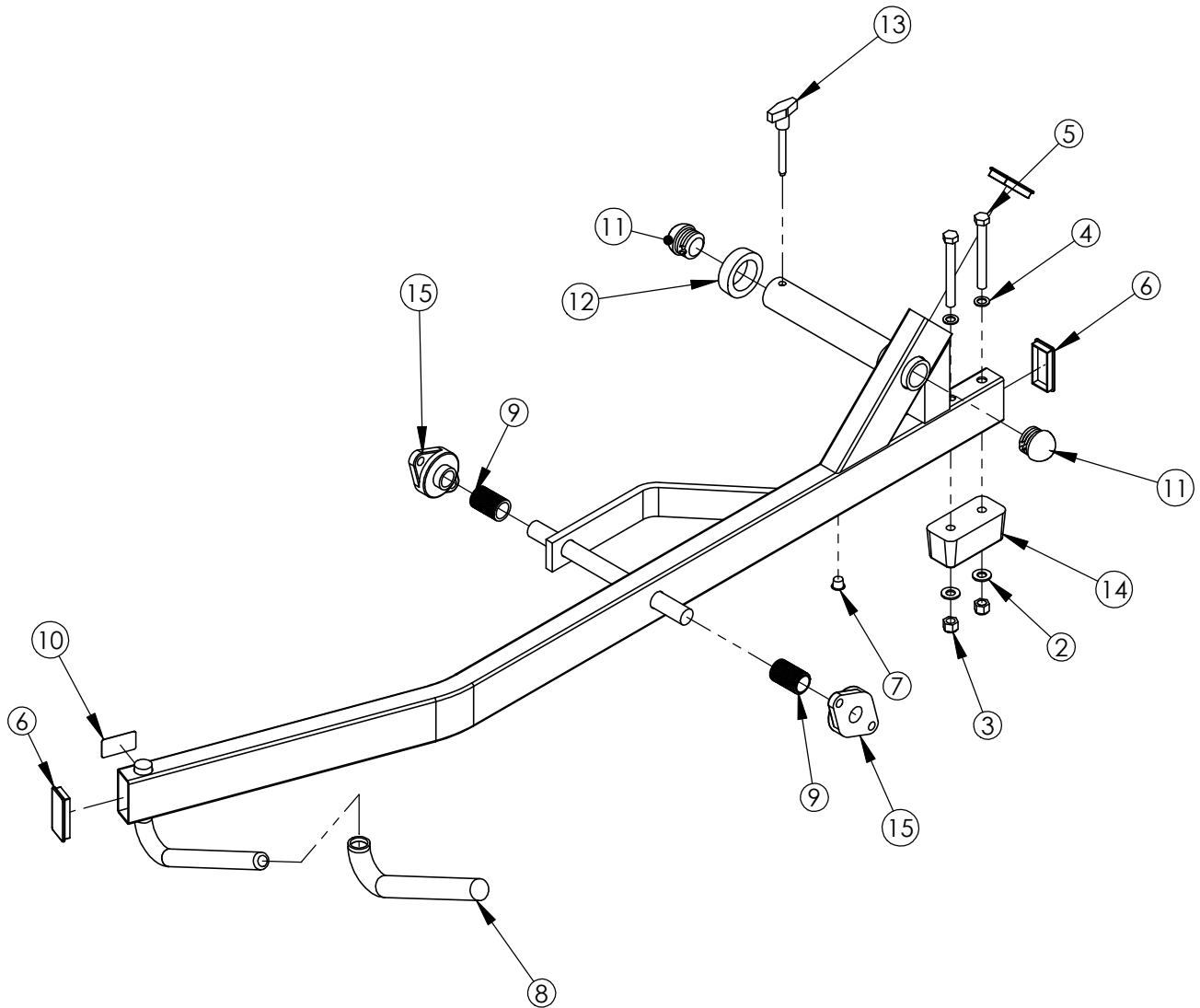
HAMMER STRENGTH EQUIPMENT
ILWPD-CFX-0, ASSY, ILWPD, FRONT CROSS MEMBER



WEIGHT = 13 lb
LENGTH = 35 1/4"
WIDTH = 6"
HEIGHT = 3 3/8"

ITEM NO.	QTY.	PART NO.	DESCRIPTION
2	2	RC1530-1Q1	CAP:1-1/2 X 3 RECTANGLE PLUG

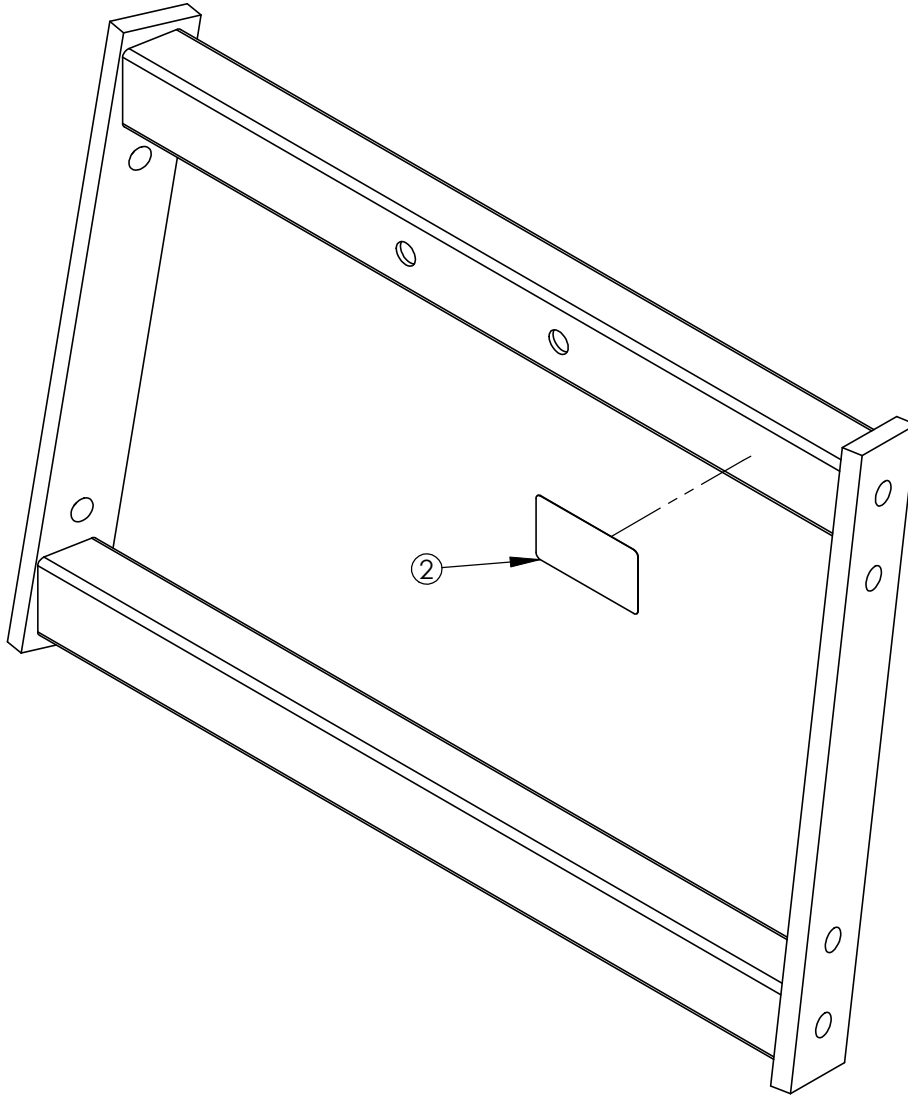
HAMMER STRENGTH EQUIPMENT
ILWPD-CMAL-3, ASSY, ILWPD, LEFT MOVEMENT ARM



ITEM NO.	QTY.	PART NO.	DESCRIPTION
2	2	WASH.5SAE	1/2" SAE FLAT WASHER
3	2	NUT.5LOCK	1/2 DIA THICK LOCK NUT
4	2	WASH.5STAR	1/2" INTERNAL LOCK WASHER
5	2	HHB.5X4.5	1/2 X 4 1/2 BOLT
6	3	RC1530-1Q1	CAP:1-1/2 X 3 RECTANGLE PLUG
7	1	H-HPLUG (REG)	9/16IN HOLE PLUG
8	1	H-GRIP	HANDLE GRIPS (.938X16)
9	2	ACCORDIAN	SHAFT GUARD
10	1	STAY CLEAR	STAY CLEAR DECAL
11	2	RUBCAP1-2	RUBBER CAP #1
12	1	H-RUBRNG	MM5 RING
13	1	SELECTOR PIN-3	SELECTOR PIN 3 IN.
14	1	H-BUMP-MED	MM2 MEDIUM
15	2	H-BEAR-SML	SMALL BEARING

WEIGHT = 41.7 lb
 LENGTH = 63 5/8"
 WIDTH = 15 3/4"
 HEIGHT = 12 3/4"

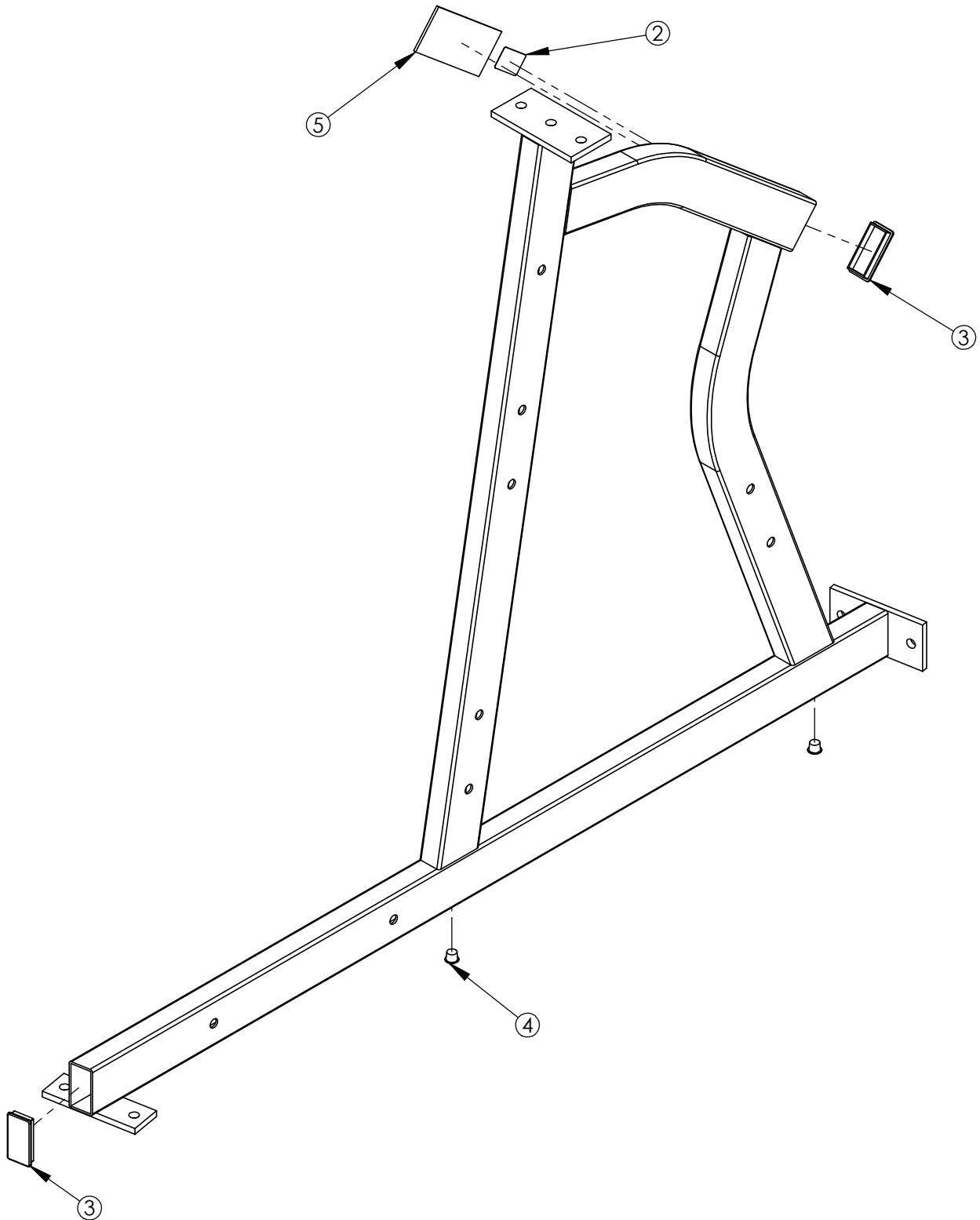
HAMMER STRENGTH EQUIPMENT
ILWPD-CMX-0, ASSY, ILWPD, MIDDLE CROSSMEMBER



WEIGHT = 18 lb
LENGTH = 23 1/8"
WIDTH = 15"
HEIGHT = 2"

ITEM NO.	QTY.	PART NO.	DESCRIPTION
2	1	PATENT	PATENT DECAL

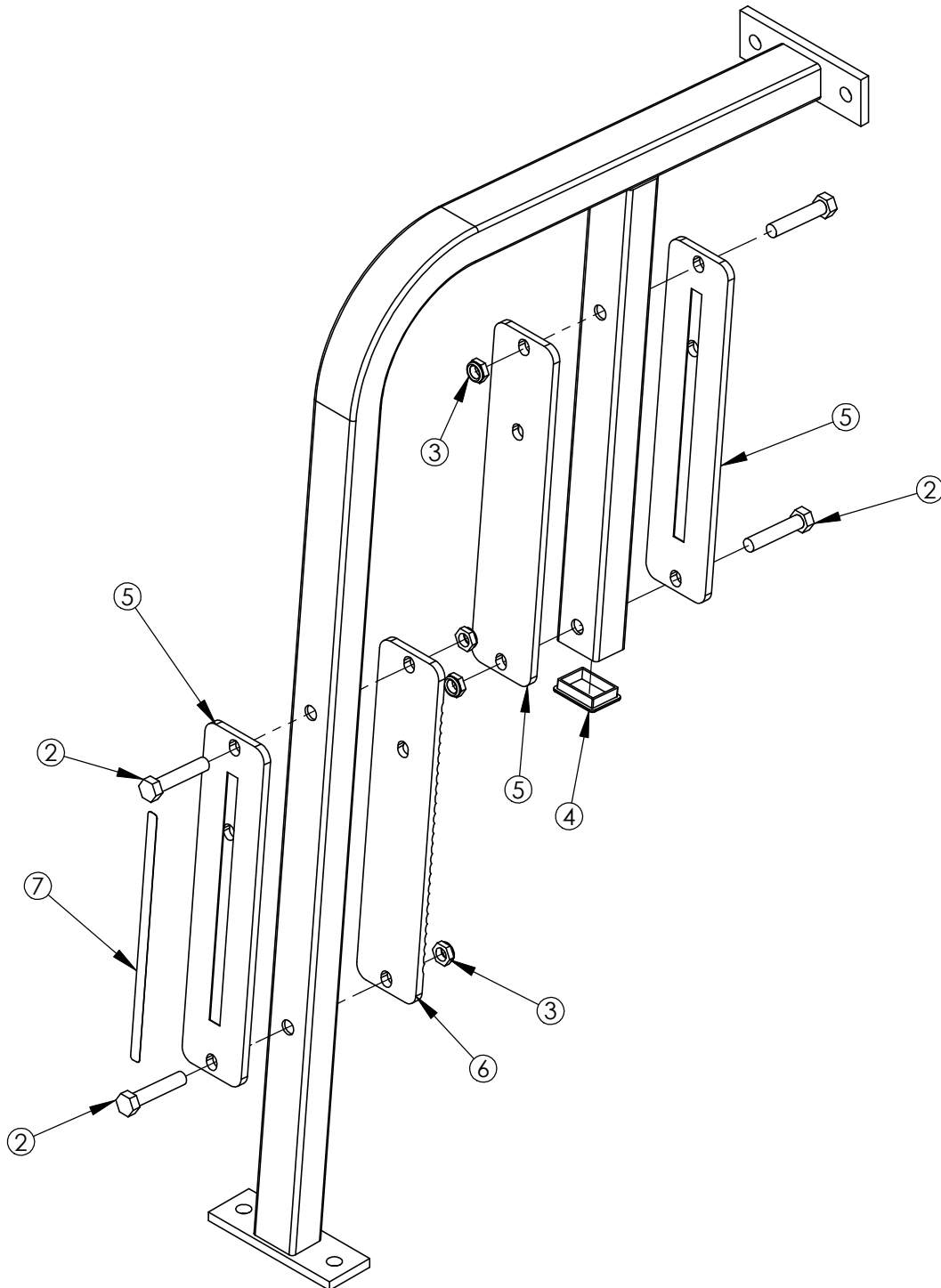
HAMMER STRENGTH EQUIPMENT
ILWPD-CSFL-1, ASSY, ILWPD, LEFT SIDE FRAME



ITEM NO.	QTY.	PART NO.	DESCRIPTION
2	1	STAY CLEAR	STAY CLEAR DECAL
3	2	RC1530-1Q1	CAP:1-1/2 X 3 RECTANGLE PLUG
4	2	H-HPLUG (REG)	9/16IN HOLE PLUG
5	1	H-NAME PLATE	NAMEPLATE (45156-P)

WEIGHT = 50 lb
 LENGTH = 61"
 WIDTH = 6"
 HEIGHT = 47 1/8"

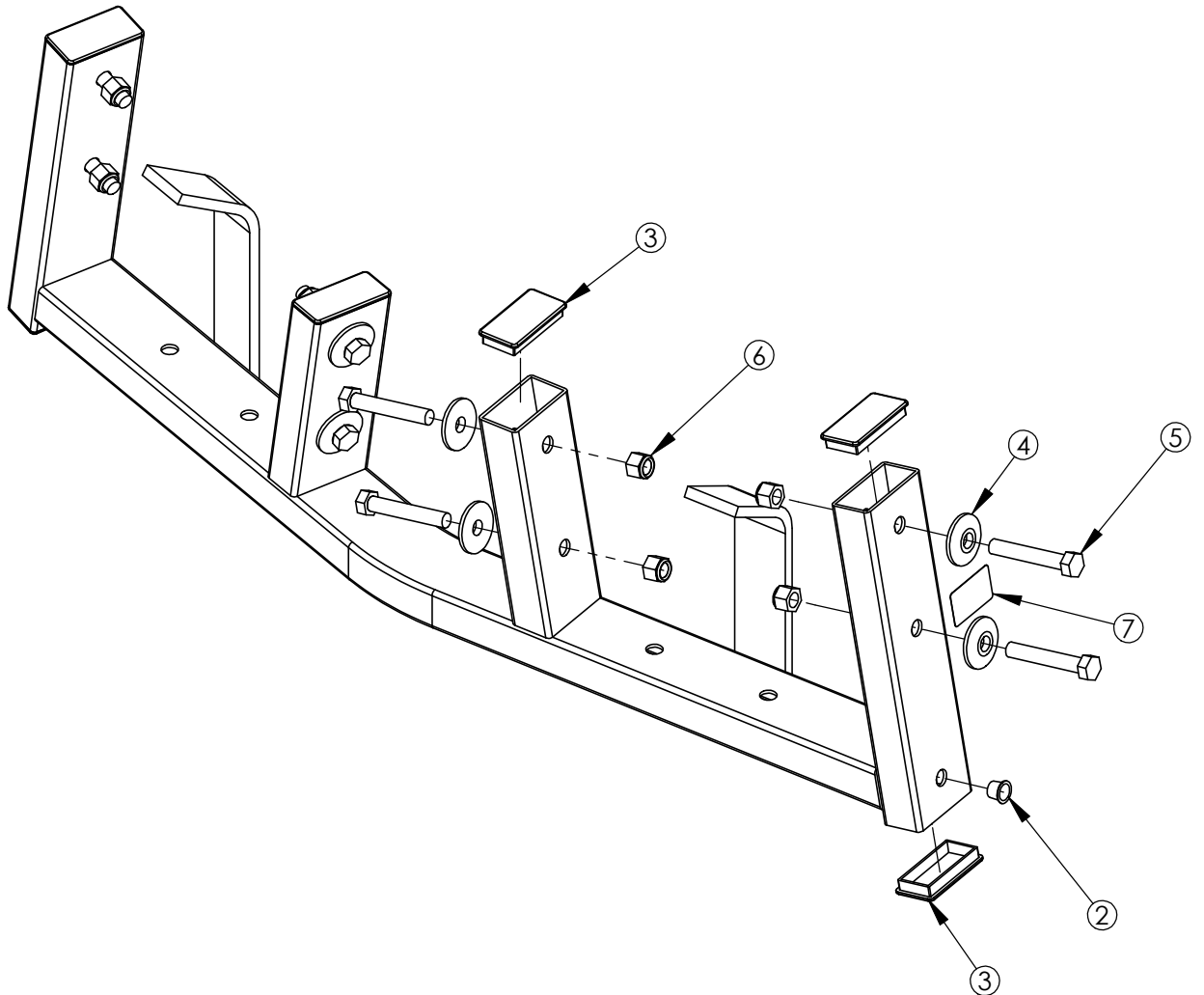
HAMMER STRENGTH EQUIPMENT
ILWPD-CST-0, ASSY, ILWPD, SEAT FRAME



ITEM NO.	QTY.	PART NO.	DESCRIPTION
2	4	HHB.5X2.5	1/2 X 2 1/2 BOLT
3	4	NUT.5JAMLOCK	1/2 THIN LOCK NUT
4	1	RC1520-1Q1	CAP:1-1/2 X 2 RECTANGLE PLUG
5	3	H-SEATRCKS-N	PLASTIC SEAT GUIDES(PP229)NEW)
6	1	H-SEATRCKS-RIB	SEATRACK BACK
7	1	SEAT NUMBER	SEAT ADJ. NUMBER

WEIGHT = 24.12 lb
 LENGTH = 24"
 WIDTH = 6"
 HEIGHT = 39"

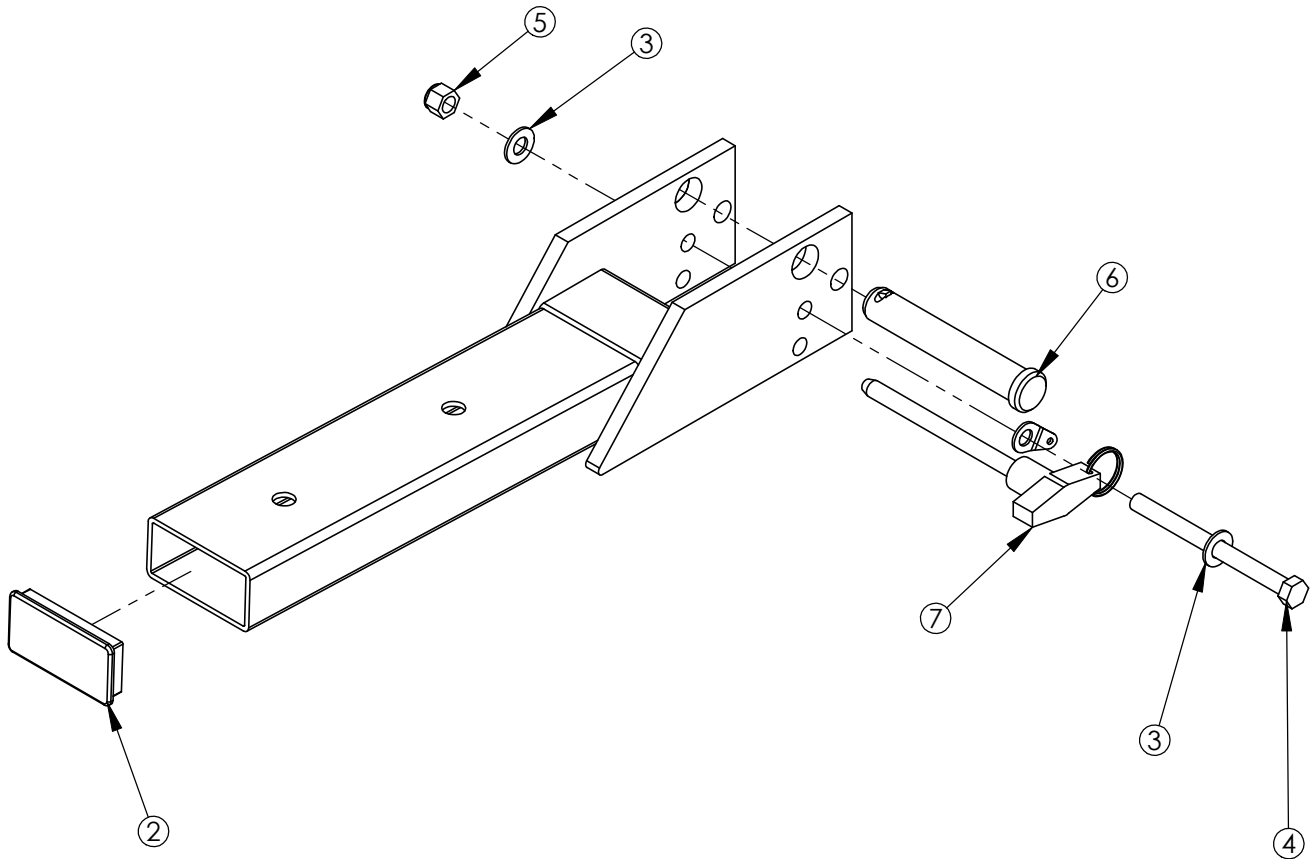
HAMMER STRENGTH EQUIPMENT
ILWPD-CTX-0, ASSY, ILWPD, TOP CROSSMEMBER



ITEM NO.	QTY.	PART NO.	DESCRIPTION
2	2	H-HPLUG (REG)	9/16IN HOLE PLUG
3	6	RC1530-1Q1	CAP:1-1/2 X 3 RECTANGLE PLUG
4	8	H-BACK-WASH	BACKING WASHER
5	8	HHB.5X3	1/2 X 3 BOLT
6	8	NUT.5LOCK	1/2 DIA THICK LOCK NUT
7	2	STAY CLEAR	STAY CLEAR DECAL

WEIGHT = 32 lb
 LENGTH = 42"
 WIDTH = 12 1/4"
 HEIGHT = 6 1/2"

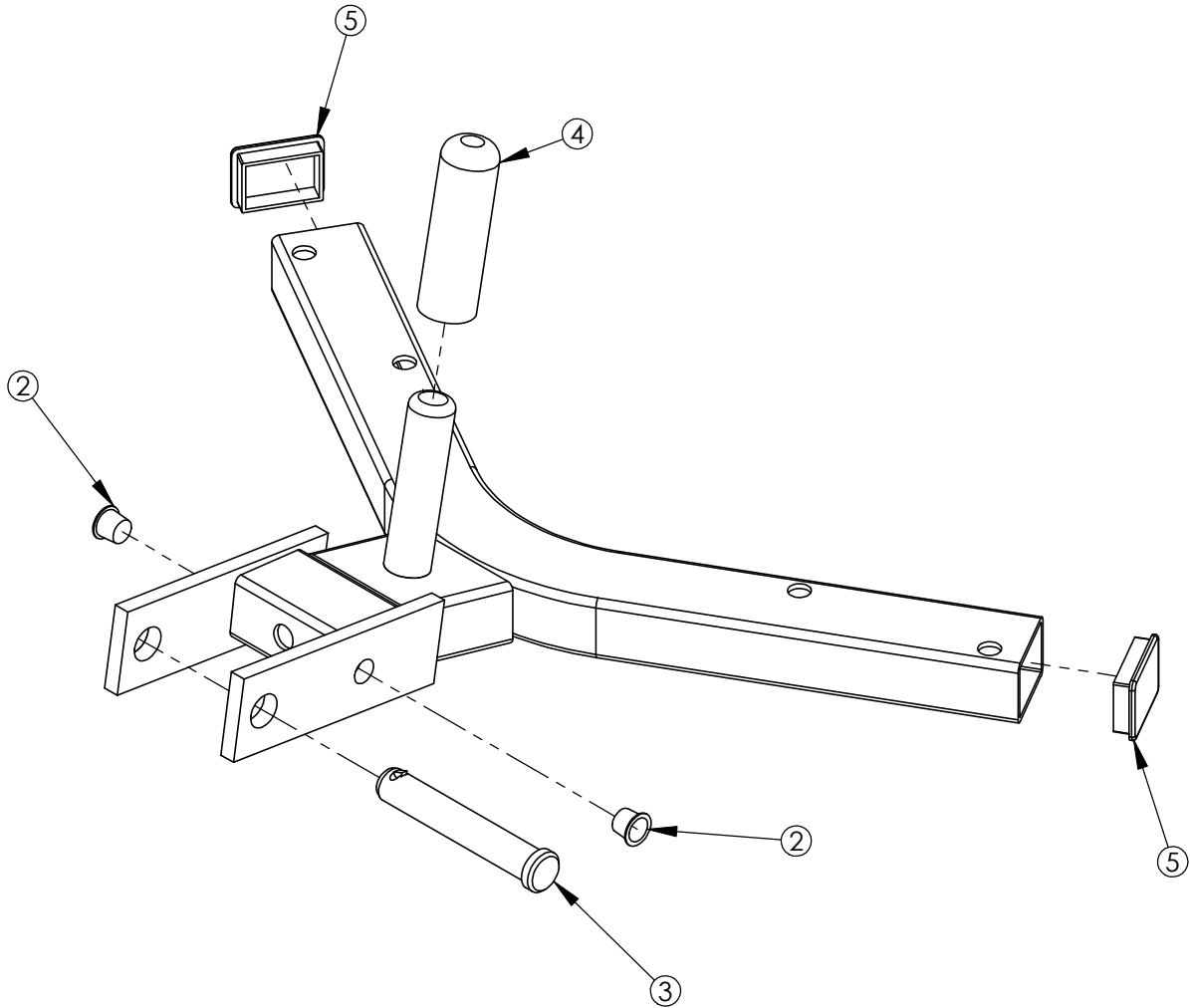
HAMMER STRENGTH EQUIPMENT
CSTD-ST-1: ASSY, STD ST



ITEM NO.	QTY.	PART NO.	DESCRIPTION
2	1	RC1530-1Q1	CAP:1-1/2 X 3 RECTANGLE PLUG
3	2	WASH.375SAE	3/8" SAE FLAT WASHER
4	1	HHB.375X4.5	STEEL BOLT 3/8 X 4.5
5	1	NUT.375LOCK	3/8 THICK LOCK NUT
6	1	STD SEAT PIN	STD SEAT PIN
7	1	SELECTPIN	ASSY, STD SEAT SELECTOR PIN

WEIGHT = 9 lb
 LENGTH = 17"
 WIDTH = 4 3/4"
 HEIGHT = 3"

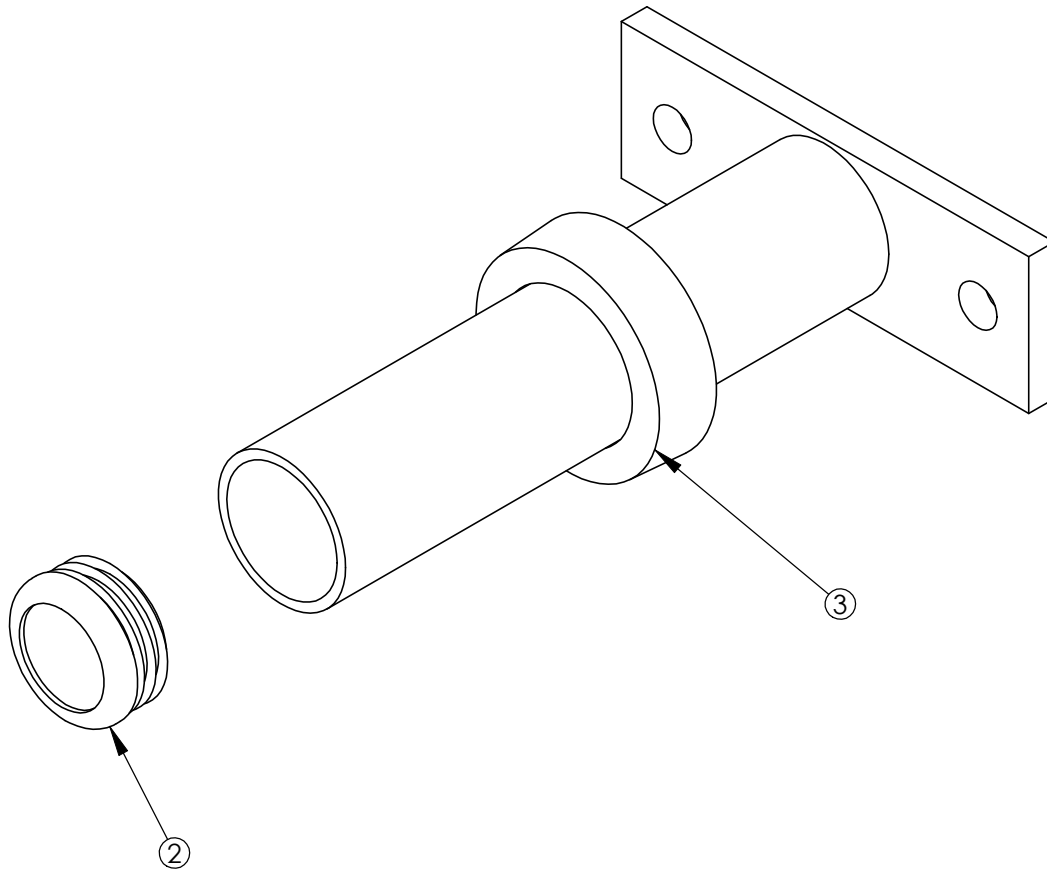
HAMMER STRENGTH EQUIPMENT
CST4-C01: ASSY, STD SEAT 4



ITEM NO.	QTY.	PART NO.	DESCRIPTION
2	2	H-HPLUG (REG)	9/16IN HOLE PLUG
3	1	STD SEAT PIN	STD SEAT PIN
4	1	H-GRIP	HANDLE GRIPS (.938X16)
5	2	RC1520-1Q1	CAP:1-1/2 X 2 RECTANGLE PLUG

WEIGHT = 11 lb
 LENGTH = 16"
 WIDTH = 22 1/4"
 HEIGHT = 6"

HAMMER STRENGTH EQUIPMENT
H-HORN-ASSY: WEIGHT HORN ASSEMBLY



WEIGHT = 3 1/4 lb
 LENGTH = 8 5/8"
 WIDTH = 6"
 HEIGHT = 3"

ITEM NO.	QTY.	PART NO.	DESCRIPTION
2	1	8078001	CAP, END 1.75 DIA RD 14-20 GA
3	1	H-RUBRNG	MM5 RING